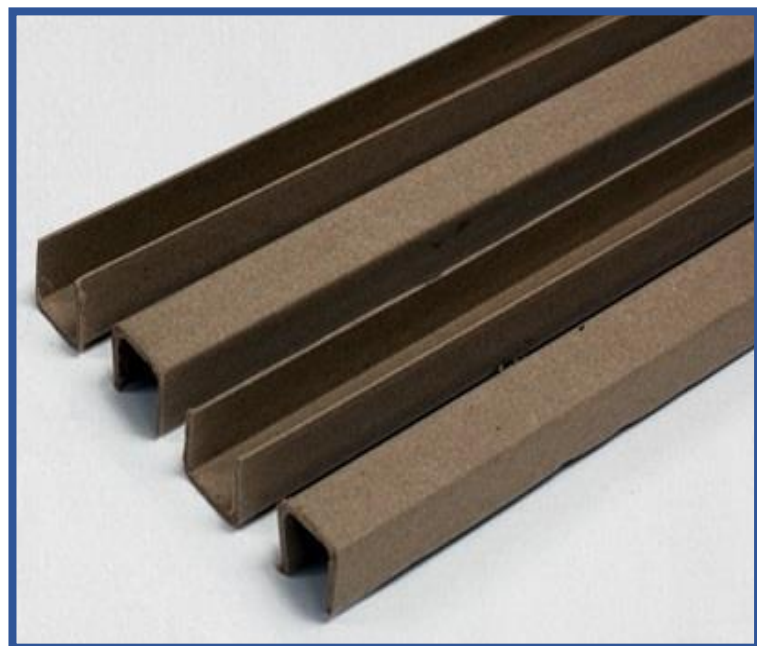


Uprofile Specification Sheet



Description

Multiple plies of recycled paper, laminated together and formed into a rigid U shape. Used to protect edges of product from damage caused by storage, transit or strapping.

Composition

100% Recycled paper, fully wrapped
Environmentally friendly PVA glue
Fully Recyclable

Sizes (mm)

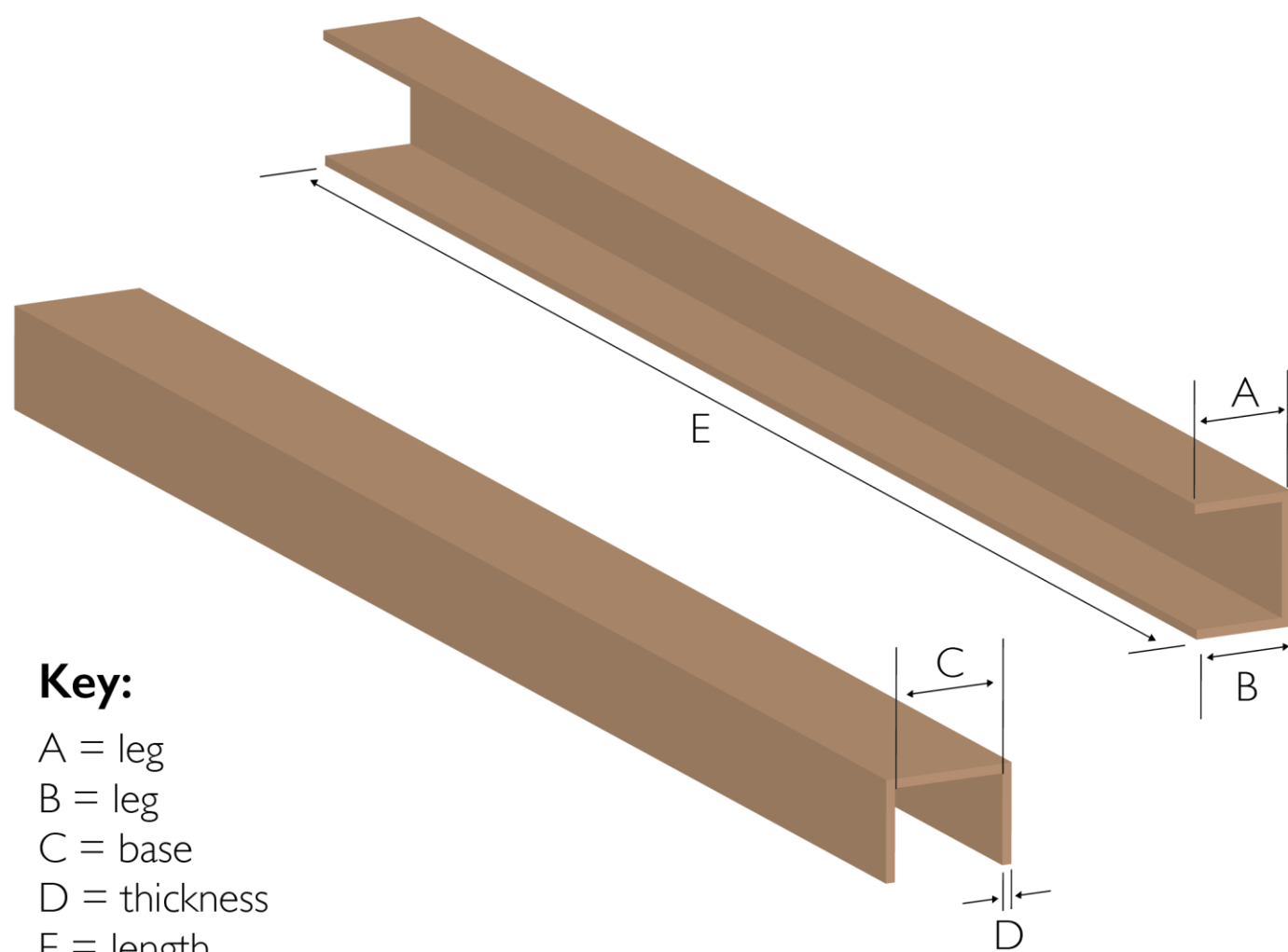
Legs (A + B): Varied
Thickness (D): 2mm/3mm
Length (E): 50 – 6000mm

Base (C):

12mm	50mm
20mm	54mm
25mm	60mm
30mm	70mm
38mm	80mm
40mm	90mm
44mm	100mm

Tolerances

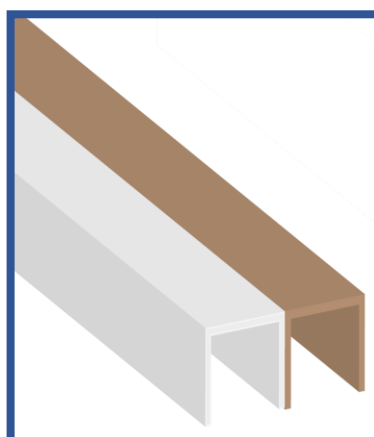
Legs: +/- 5mm*
Base +/- 3mm**
Thickness: +/- 0.4mm
Length: +/- 5mm
(* Measured externally)
(** Measured internally)



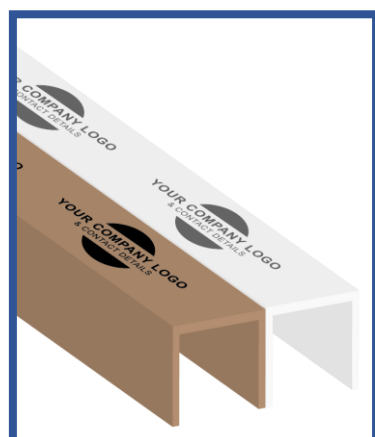
Key:

A = leg
B = leg
C = base
D = thickness
E = length

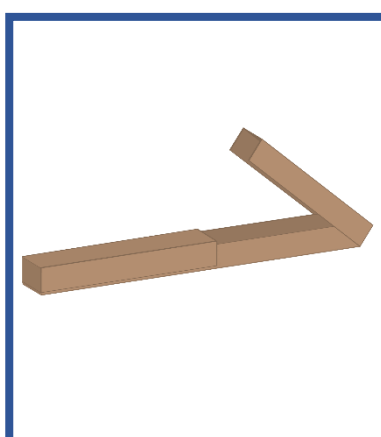
Available Options



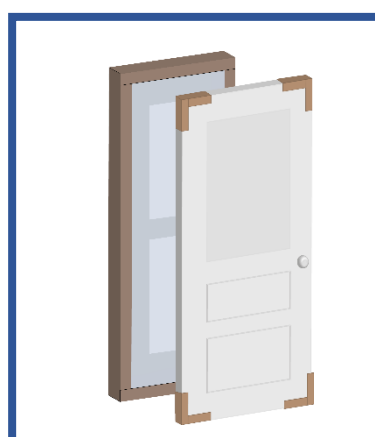
Standard Brown or White outer wrap



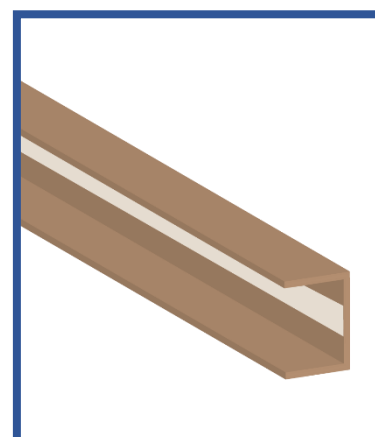
One colour printing to promote your brand or provide information



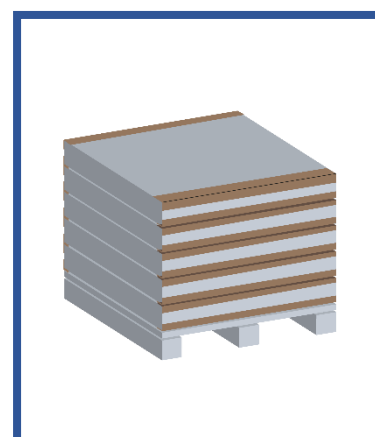
Long lengths of upprofile with notch cuts to allow the product to fold over to create a crate.



Supplied with a notch cut in short corner pieces or on longer lengths to completely protect corners.



Self adhesive tape along the base



Long lengths up to 6000mm ideal to protect items such as worktops



www.angleboarduk.co.uk
uksales@angleboarduk.co.uk
01384 253290